

LN Series Rental LED Display

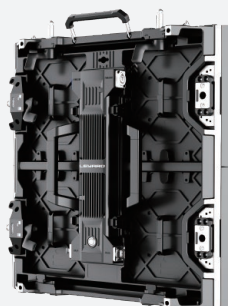
Excellence · Create Infinite Possibilities



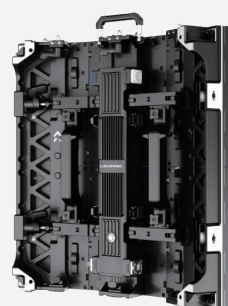
LN



LN-R



LN-C



Leyard LN Serie · Características del Producto



Liviano



Empalme a tu pinta
(Plano/cóncavo, convexo, en ángulo recto, forma de S o circular.)



Instalación Simple
(Una sola persona puede montar y hacer mantenimientos)



Diseño Modular

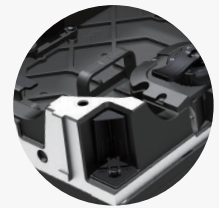
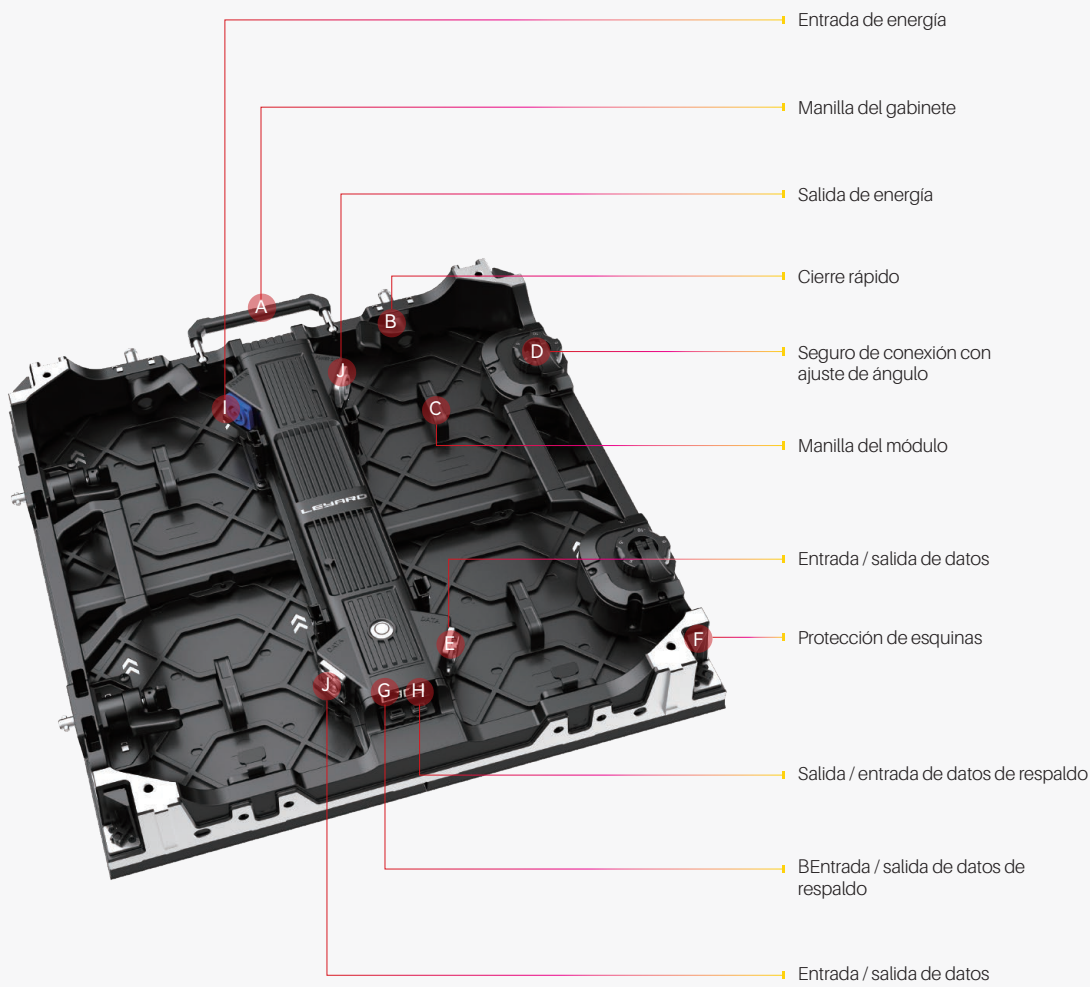


Compatible con HDR



Amplio ángulo de visión

Detalles de la Apariencia del Gabinete



Protección de esquinas

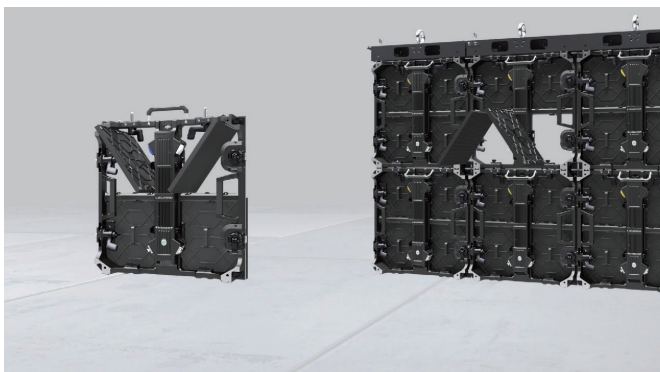


Redundancia de señal

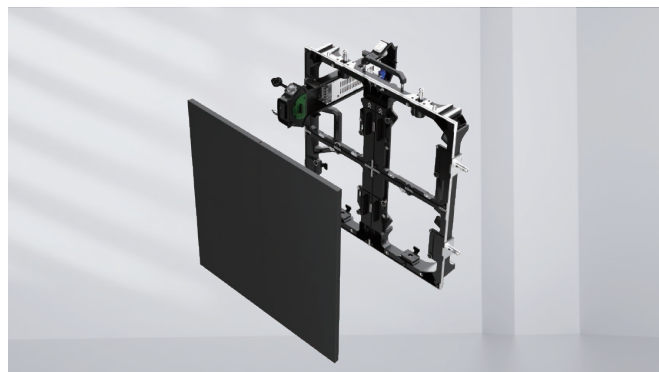


Bloqueo para curvatura

Mantenimiento 100% trasero



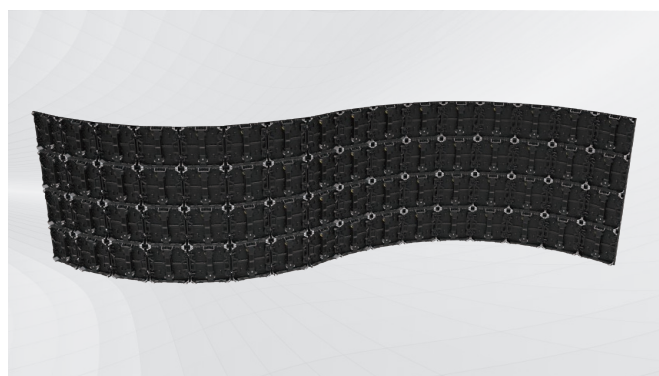
Mantenimiento frontal completo (opcional)



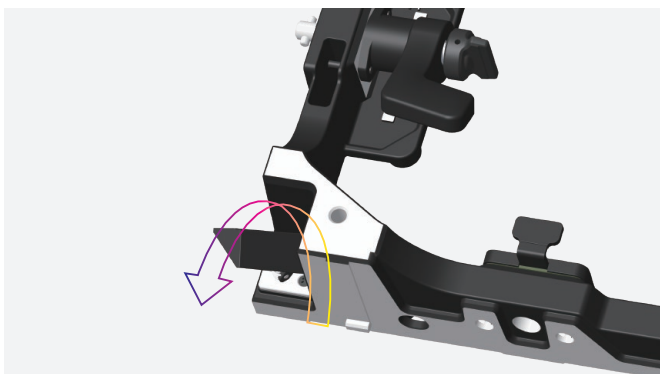
Módulo LED con soporte para mantenimiento frontal



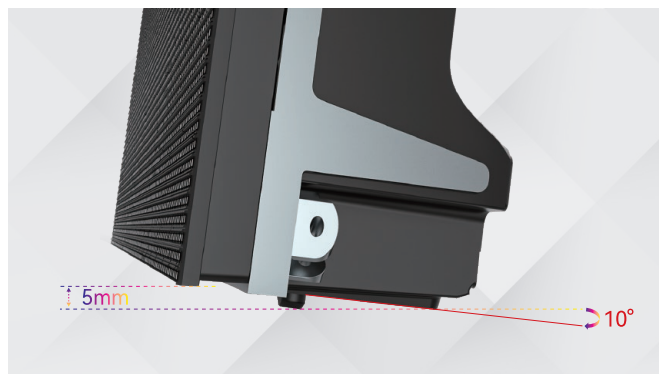
Diseño curvo ajustable de -10° a 10°



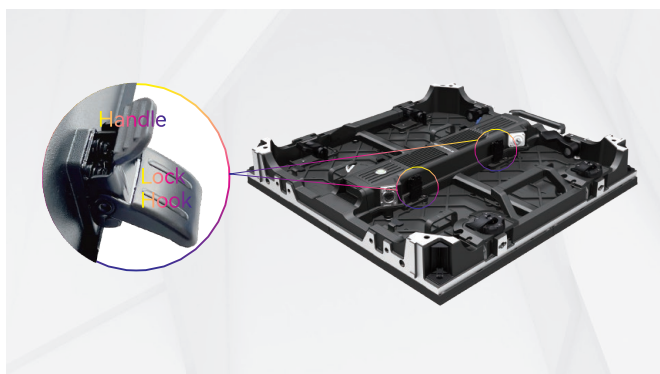
Rotección de Esquinas Fuerte y Resistente



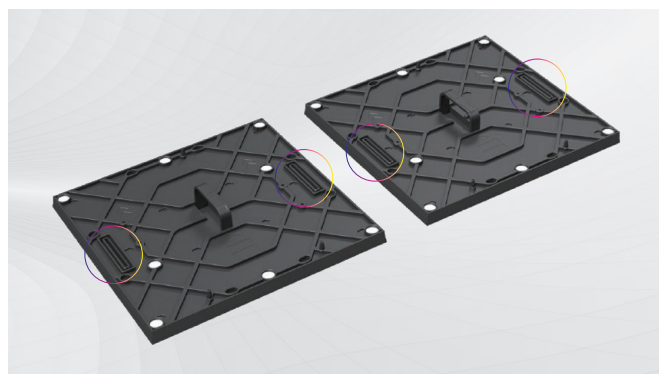
Protección para los LED



Seguro de energía fácil de operar



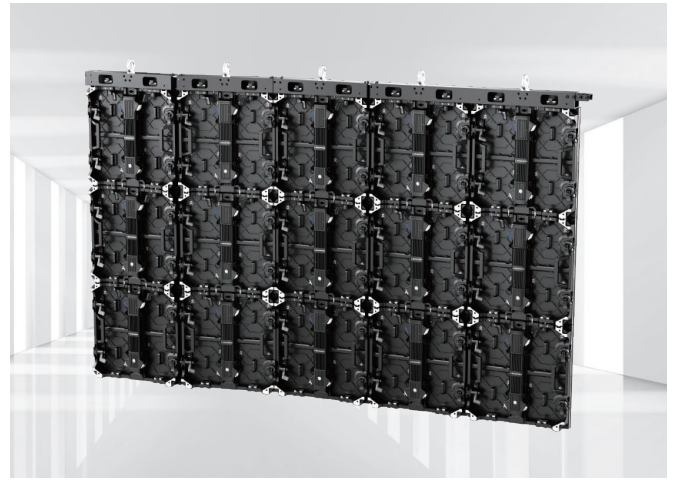
Módulos LED universales



Montaje Apilado



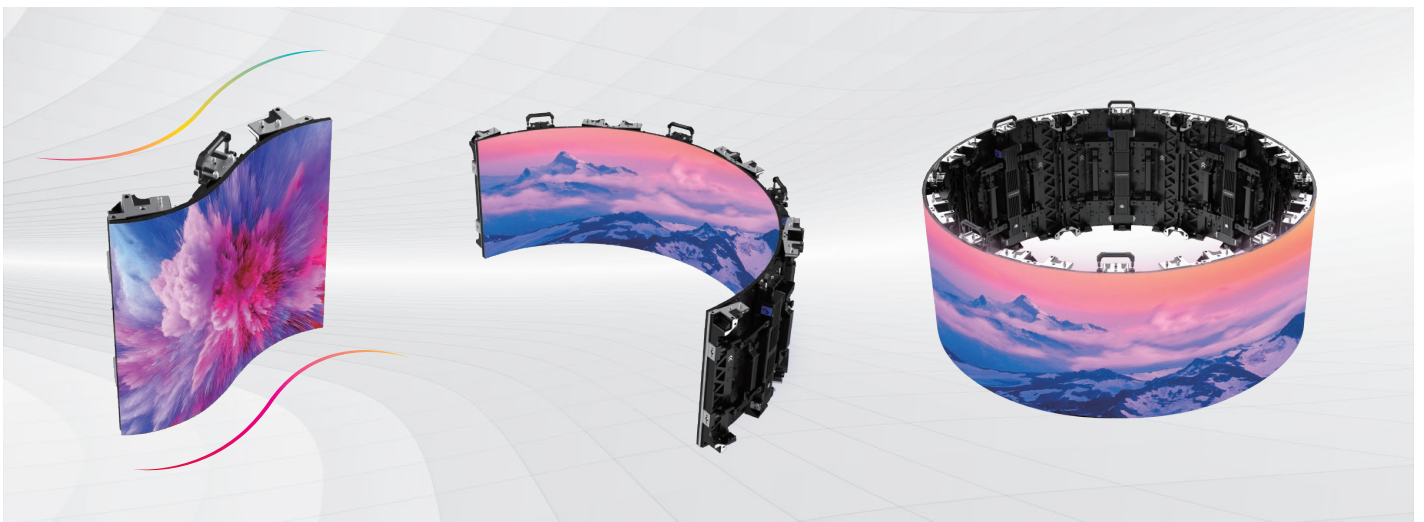
Montaje Colgante



LN-R



LN-C



LN Especificaciones

Item	LN1.9	LN2.6	LN2.9	LN3.9	LN2.9S	LN3.9S	LN4.8S
Pixel Pitch (mm)	1.953	2.604	2.976	3.906	2.976	3.906	4.808
Module Size (mm)(WxH)	250x250						
Module Composition (WxH)	2x2		2x4	2x2	2x4	2x2	2x4
Cabinet Resolution	256x256	192x192	168x168	168x336	128x128	128x256	168x168
Cabinet dimension(WxHxD, mm)	500x500x79		500x1000x79	500x500x79	500x1000x79	500x500x79	500x1000x79
Weight (Kg/Cabinet; Kg/m ²)	7.5; 30		13.5; 27	7.5; 30	13.5; 27	7.5; 30	13.5; 27
Brightness (nits)	1000				4000		
Color Temperature (K)	3000—10000 Adjustable						
Viewing angle (°) (H/V)	160 / 140						
Contrast Ratio	5000:1						
Peak Power Consumption (W/m ²)	600						
Average Power Consumption (W/m ²)	200						
Power Input	AC100~240V (50/60Hz)						
Frame Rate (Hz)	50&60						
Gray Scale (bit)	16						
Refresh Rate (Hz)	3840						7680
IP Level(Front/Back)	IP50				IP65		
Certification	International: CB, CE, CTUVUS, FCC, IC, ROHS, REACH, WEEE Domestic: CCC, energy saving, environmental protection						

Note: The parameters in this table are for reference only, and the actual situation shall prevail.

LN-R Especificaciones

Item	LN1.9-R	LN2.6-R	LN2.9-R	LN3.9-R	LN2.9S-R	LN3.9S-R	LN4.8S-R
Pixel Pitch (mm)	1.953	2.604	2.976	3.906	2.976	3.906	4.808
Module Size (mm)(WxH)	250x250						
Module Composition (WxH)	2x2						
Cabinet Resolution	256x256	192x192	168x168	128x128	168x168	128x128	104x104
Cabinet dimension(WxHxD, mm)	500x500x79						
Weight (Kg/Cabinet; Kg/m ²)	6.5; 26						
Brightness (nits)	1000				4000		
Color Temperature (K)	3000~10000 Adjustable						
Viewing angle (°) (H/V)	160 / 140						
Contrast Ratio	5000:1						
Peak Power Consumption (W/m ²)	600						
Average Power Consumption (W/m ²)	200						
Power Input	AC100~240V (50/60Hz)						
Frame Rate (Hz)	50&60						
Gray Scale (bit)	16						
Refresh Rate (Hz)	3840	7680					
IP Level(Front/Back)	IP50				IP65		

Note: The parameters in this table are for reference only, and the actual situation shall prevail.

LN-C Especificaciones

Item	LN1.9-C	LN2.6-C	LN2.9-C	LN3.9-C
Pixel Pitch (mm)	1.953	2.604	2.976	3.906
Module Size (mm)(WxH)	500x250			
Module Composition (WxH)	1x2			
Cabinet Resolution	256x256	192x192	176x168	128x128
Cabinet dimension(WxHxD, mm)	500x500x79			
Weight (Kg/Cabinet; Kg/m ²)	8; 32			
Brightness (nits)	1000			
Color Temperature (K)	3000-10000 Adjustable			
Viewing angle (°) (H/V)	160 / 140			
Contrast Ratio	5000:1			
Peak Power Consumption (W/m ²)	600			
Average Power Consumption (W/m ²)	200			
Power Input	AC100~240V (50/60Hz)			
Frame Rate (Hz)	50&60			
Gray Scale (bit)	16			
Refresh Rate (Hz)	3840		7680	
IP Level(Front/Back)	IP50			

Note: The parameters in this table are for reference only, and the actual situation shall prevail.